



Arizona Vortex Tube Manufacturing Co.

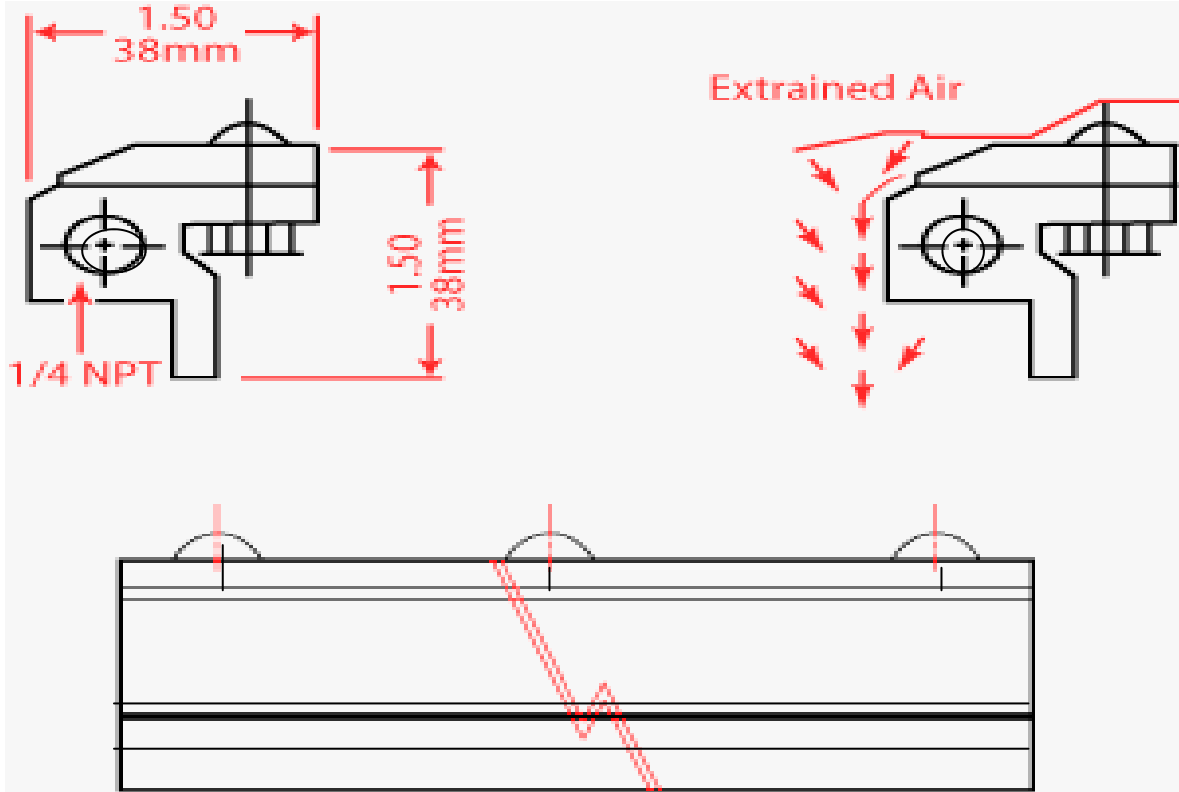
51235 N. 296th Ave

Wickenburg, AZ 85390

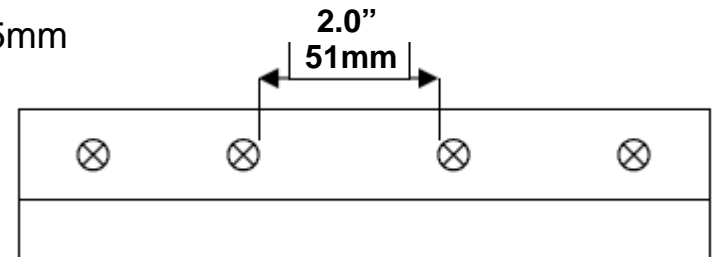
1-928-684-5733

1-800-660-4060

928-684-5752 (F)



Over-All Length = Airflow Length + 1.0"/25mm



Compressed Air Usage: 4.1 SCFM per inch of length at 80 PSI (operates at any pressure to 20 PSI)

Air Curtains entrain the surrounding air: Amplification ratios of 40:1

Shim Set: .002" (.05mm)

Regulate: The pressure regulator on the compressed air supply gives control over the flow, force, and air consumption.

Noise level: 70 dBA (for most applications)

Advantages over Blowers: Uniform curtain of air (Smooth Flow), No Turbulence.